



PS No.	PS-002-074
Version	00
Date	2016-7-11

继电器规格书

RELAY SPECIFICATION

品名/Product Description RJ-SS-112DM
零件编号/Part Number
客户名/Customer

客户批准/Customer Approval

盖章处/STAMPING AREA

发行批准 / Issued by		
PD	SM	R&D
王凤	余明亮	冯旭强

继电器规格书 Relay SPECIFICATION	型号 TYPE	RJ-SS-112DM	产品编号 Part Number	
1 <u>零件清单/PARTS LIST</u>				
No.	零件名 Part	材质 MATERIAL	型号/处理方式 TYPE/TREATMENT	UL FILE No. FLAME CLASS
1	基座 Base	PBT	RG301	E171666
2	骨架 Bobbin	PBT	5010GN6-30 M8X RG301	E53664 E171666
3	外壳 Case	PBT	RG301	E171666
4	推片 Card	PBT	RG301	E171666
5	轭铁 Yoke	铁 Steel	镀镍 Nickel Plated	
6	衔铁 Armature	铁 Steel	镀镍 Nickel Plated	
7	挂钩 Hinge	铜合金 Cu Alloy		
8	可动弹片 C Terminal	铜合金 Cu Alloy		
9	铁芯 Core	铁 Steel	镀镍 Nickel Plated	
10	M端子 M Terminal	铜合金 Cu Alloy		
11	可动接点 C Contact	银合金 Ag Alloy		
12	M接点 M Contact	银合金 Ag Alloy		
13	线圈端子 Coil Terminal	铜包钢 Cu coverd Steel	镀锡 Solder Coated	
14	线材 Wire	聚氨酯漆包圆铜线 Polyurethane copper wire	3UEW 155(F Class)	E164502 E234867
15	胶水 Sealing Resin	环氧树脂 Epoxy		

PS No.: PS-002-074
Ver 00

继电器规格书 Relay SPECIFICATION	型号 TYPE	RJ-SS-112DM	产品编号 Part Number	PS No.: PS-002-074 Ver 00																																																																																										
<p>2. <u>性能/SPECIFICATIONS</u></p> <p>2.1 <u>驱动部分/COIL SPECIFICATIONS</u></p> <table border="0"> <tr> <td>2.1.1 额定电压</td> <td>12</td> <td>VDC (在20°C时)</td> </tr> <tr> <td>Rated Coil Voltage</td> <td>12</td> <td>VDC at 20°C</td> </tr> <tr> <td>2.1.2 额定功率</td> <td>0.45</td> <td>W (在20°C时)</td> </tr> <tr> <td>Nominal Power</td> <td>0.45</td> <td>W at 20°C</td> </tr> <tr> <td>2.1.3 线圈电阻</td> <td>320</td> <td>$\Omega \pm 10\%$ (在20°C时)</td> </tr> <tr> <td>Coil Resistance</td> <td>320</td> <td>$\Omega \pm 10\%$ (at 20°C)</td> </tr> <tr> <td>2.1.4 额定电流</td> <td>37.5</td> <td>mA$\pm 10\%$ (在20°C时)</td> </tr> <tr> <td>Nominal Current</td> <td>37.5</td> <td>mA$\pm 10\%$ (at 20°C)</td> </tr> <tr> <td>2.1.5 吸合电压</td> <td>9</td> <td>VDC以下 (在20°C时)</td> </tr> <tr> <td>Operate Voltage</td> <td>9</td> <td>VDC Max. at 20°C</td> </tr> <tr> <td>2.1.6 释放电压</td> <td>0.6</td> <td>VDC以上 (在20°C时)</td> </tr> <tr> <td>Release Voltage</td> <td>0.6</td> <td>VDC Min. at 20°C</td> </tr> <tr> <td>2.1.7 最大连续施加电压</td> <td>18.6</td> <td>VDC Max. 155%额定电压</td> </tr> <tr> <td>Max Power</td> <td>18.6</td> <td>VDC Max. 155% of Nominal</td> </tr> </table> <p>2.2 <u>开关部/CONTACT SPECIFICATION</u></p> <table border="0"> <tr> <td>2.2.1 开关类型</td> <td colspan="2">单刀常开型</td> </tr> <tr> <td>Contact Configuration</td> <td colspan="2">1 Form A</td> </tr> <tr> <td>2.2.2 接点规格</td> <td>5</td> <td>A 250VAC (阻性负载)</td> </tr> <tr> <td>Contact Rating</td> <td>5</td> <td>A @250VAC (Resistive)</td> </tr> <tr> <td>2.2.3 接触电阻</td> <td>100</td> <td>mΩ 以下, (初期值, DC 24V/1A条件下)</td> </tr> <tr> <td>Contact Resistance</td> <td>100</td> <td>mΩ Max. @ Initiate, DC 24V/1A</td> </tr> <tr> <td></td> <td>500</td> <td>mΩ 以下, (寿命试验后, DC 24V/1A条件下)</td> </tr> <tr> <td></td> <td>500</td> <td>mΩ Max. @ After Life, DC 24V/1A</td> </tr> <tr> <td>2.2.4 吸合时间</td> <td>20</td> <td>ms 以下 (额定电压下)</td> </tr> <tr> <td>Operate Time</td> <td>20</td> <td>ms Max. @ Rated Voltage</td> </tr> <tr> <td>2.2.5 释放时间</td> <td>10</td> <td>ms 以下 (施加额定电压后断开时)</td> </tr> <tr> <td>Release Time</td> <td>10</td> <td>ms Max. @ Rated Voltage</td> </tr> <tr> <td>2.2.6 最大动作频率</td> <td>300</td> <td>次/分 (无负载)</td> </tr> <tr> <td>Max. Switching Rate</td> <td>300</td> <td>ops./min. (no load).</td> </tr> <tr> <td></td> <td>6</td> <td>次/分 (额定负载)</td> </tr> <tr> <td></td> <td>6</td> <td>ops./min. (Rated load)</td> </tr> </table>					2.1.1 额定电压	12	VDC (在20°C时)	Rated Coil Voltage	12	VDC at 20°C	2.1.2 额定功率	0.45	W (在20°C时)	Nominal Power	0.45	W at 20°C	2.1.3 线圈电阻	320	$\Omega \pm 10\%$ (在20°C时)	Coil Resistance	320	$\Omega \pm 10\%$ (at 20°C)	2.1.4 额定电流	37.5	mA $\pm 10\%$ (在20°C时)	Nominal Current	37.5	mA $\pm 10\%$ (at 20°C)	2.1.5 吸合电压	9	VDC以下 (在20°C时)	Operate Voltage	9	VDC Max. at 20°C	2.1.6 释放电压	0.6	VDC以上 (在20°C时)	Release Voltage	0.6	VDC Min. at 20°C	2.1.7 最大连续施加电压	18.6	VDC Max. 155%额定电压	Max Power	18.6	VDC Max. 155% of Nominal	2.2.1 开关类型	单刀常开型		Contact Configuration	1 Form A		2.2.2 接点规格	5	A 250VAC (阻性负载)	Contact Rating	5	A @250VAC (Resistive)	2.2.3 接触电阻	100	m Ω 以下, (初期值, DC 24V/1A条件下)	Contact Resistance	100	m Ω Max. @ Initiate, DC 24V/1A		500	m Ω 以下, (寿命试验后, DC 24V/1A条件下)		500	m Ω Max. @ After Life, DC 24V/1A	2.2.4 吸合时间	20	ms 以下 (额定电压下)	Operate Time	20	ms Max. @ Rated Voltage	2.2.5 释放时间	10	ms 以下 (施加额定电压后断开时)	Release Time	10	ms Max. @ Rated Voltage	2.2.6 最大动作频率	300	次/分 (无负载)	Max. Switching Rate	300	ops./min. (no load).		6	次/分 (额定负载)		6	ops./min. (Rated load)
2.1.1 额定电压	12	VDC (在20°C时)																																																																																												
Rated Coil Voltage	12	VDC at 20°C																																																																																												
2.1.2 额定功率	0.45	W (在20°C时)																																																																																												
Nominal Power	0.45	W at 20°C																																																																																												
2.1.3 线圈电阻	320	$\Omega \pm 10\%$ (在20°C时)																																																																																												
Coil Resistance	320	$\Omega \pm 10\%$ (at 20°C)																																																																																												
2.1.4 额定电流	37.5	mA $\pm 10\%$ (在20°C时)																																																																																												
Nominal Current	37.5	mA $\pm 10\%$ (at 20°C)																																																																																												
2.1.5 吸合电压	9	VDC以下 (在20°C时)																																																																																												
Operate Voltage	9	VDC Max. at 20°C																																																																																												
2.1.6 释放电压	0.6	VDC以上 (在20°C时)																																																																																												
Release Voltage	0.6	VDC Min. at 20°C																																																																																												
2.1.7 最大连续施加电压	18.6	VDC Max. 155%额定电压																																																																																												
Max Power	18.6	VDC Max. 155% of Nominal																																																																																												
2.2.1 开关类型	单刀常开型																																																																																													
Contact Configuration	1 Form A																																																																																													
2.2.2 接点规格	5	A 250VAC (阻性负载)																																																																																												
Contact Rating	5	A @250VAC (Resistive)																																																																																												
2.2.3 接触电阻	100	m Ω 以下, (初期值, DC 24V/1A条件下)																																																																																												
Contact Resistance	100	m Ω Max. @ Initiate, DC 24V/1A																																																																																												
	500	m Ω 以下, (寿命试验后, DC 24V/1A条件下)																																																																																												
	500	m Ω Max. @ After Life, DC 24V/1A																																																																																												
2.2.4 吸合时间	20	ms 以下 (额定电压下)																																																																																												
Operate Time	20	ms Max. @ Rated Voltage																																																																																												
2.2.5 释放时间	10	ms 以下 (施加额定电压后断开时)																																																																																												
Release Time	10	ms Max. @ Rated Voltage																																																																																												
2.2.6 最大动作频率	300	次/分 (无负载)																																																																																												
Max. Switching Rate	300	ops./min. (no load).																																																																																												
	6	次/分 (额定负载)																																																																																												
	6	ops./min. (Rated load)																																																																																												

继电器规格书 Relay SPECIFICATION	型号 TYPE	RJ-SS-112DM	产品编号 Part Number	PS No.:
2.3 特性/GENERAL SPECIFICATION				PS-002-074
2.3.1 绝缘电阻 Insulation Resistance	1000 MΩ以上 (500VDC) 1000 MΩ Min@500VDC			Ver
2.3.2 介质耐压 Dielectric Strength	1000 VAC/分钟(接点间) 4000 VAC/分钟(线圈/接点间) 1000 VAC@50/60Hz 1 min.(Between Open Contacts) 4000 VAC@50/60Hz 1 min.(Between Coil and Contacts)			00
2.3.3 电气寿命 Electrical Life	1×10 ⁵ 次以上 (额定负载) 1×10 ⁵ Cycle Min. @Rate Load.			
2.3.4 机械寿命 Mechanical Life	1×10 ⁶ 次以上 (无负载) 1×10 ⁶ Cycle Min. @no load			
2.3.5 使用环境温度 Temperature	-40~105 °C (无凝结时) -40~105 °C @no condensation			
2.3.6 使用环境湿度 Humidity	20~85% RH (无凝结时) 20~85% RH @no condensation			
2.3.7 抗振动 Vibration	耐久 Mechanical 误动作 Operational	10~55 Hz, 双振幅 1.5mm 10 to 55 Hz, 1.5mm double amplitude 10~55 Hz, 双振幅2.5mm 10 to 55 Hz, 2.5mm double amplitude		
2.3.8 抗冲击 Shock	耐久 Mechanical 误动作 Operational	980 m/s ² Min (约100G) 980 m/s ² Min (100G approximately) 98 m/s ² Min (约10G) 98 m/s ² Min (10G approximately)		
2.3.9 重量 Weight	5.7 克 5.7 g			
2.3.10 焊锡条件 Solder ability	5s @ 260°C (波峰焊) 5s @ 260°C (wave soldering)			
2.4 端子性能/TERMINAL CHARACTERISTICS				
2.4.1 端子强度 Terminals strength	5牛/10秒, 任意方向静态压力, 无异常, 但端子弯曲可以 5N 10s, There shall be no abnormalities. (The curving of the terminal shall be acceptable)			
2.4.2 可焊性 Terminal solderbility	260±5°C 3s, 端子头部3mm部分90%以上的面积有锡覆盖 (无铅焊锡) 260±5°C 3s, In Case of lead lead free solder, 90% of the dipped portion shall be solderd.			
2.4.3 耐热性 Soldring Heat Resistance	5s @ 260°C, 端子头部3mm浸入锡中, 无异常发生 5s @ 260°C, There shall be no abnormalities. (wave soldering)			

继电器规格书 Relay SPECIFICATION	型号 TYPE	RJ-SS-112DM	产品编号 Part Number	
-------------------------------	------------	-------------	---------------------	--

PS No.:
PS-002-074
Ver
00

2.5 安全规格/SAFETY REQUIREMENTS

2.5.1 UL规格认定 (UL & C-UL)
UL (UL & C-UL)

档案号: E345228
File No.:



2.5.2 CQC标志认证
CQC

证书编号: CQC10002052739
Certificate No.: CQC16002139598



2.5.3 TUV规格认定
TUV

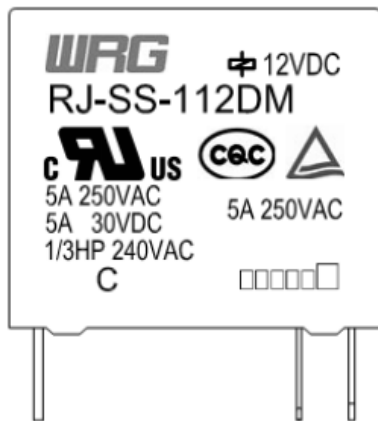
证书号 R 50222701
Certificate No.



2.5.4 产品符合ROHS和REACH要求。

The product meets the requirements of ROHS & REACH.

3. 捺印图/Mark Layout



Batch No. Identification:

H □ □ □ □ □

- 1、Manufactory:
Blank: Shenzhen; H: Huangshan
- 2、Year
The last two digits of the year.
- 3、Week
Production of the current week.
- 4、Lot No.
(A,B,C,.....Z) OR (AA,BB,CC,.....ZZ)

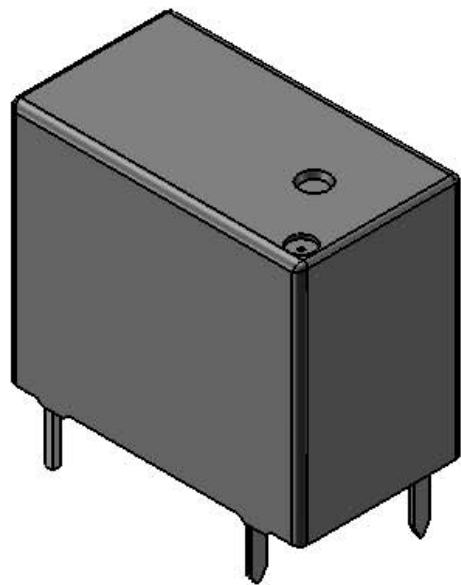
注:
仅供参考.
For reference only.

注/Remark

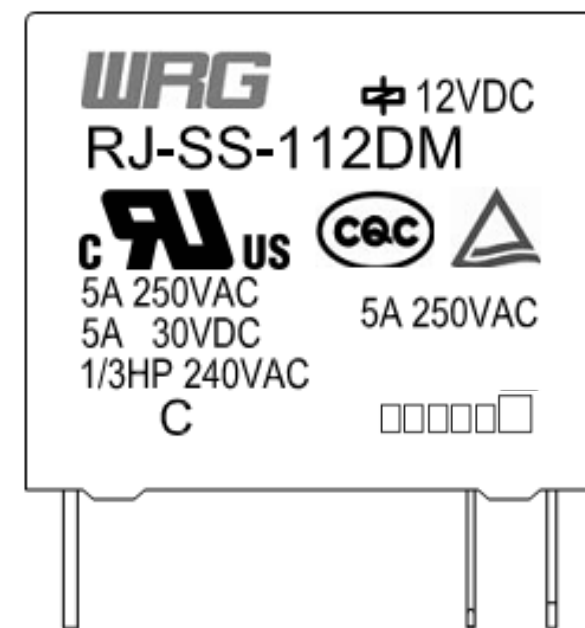
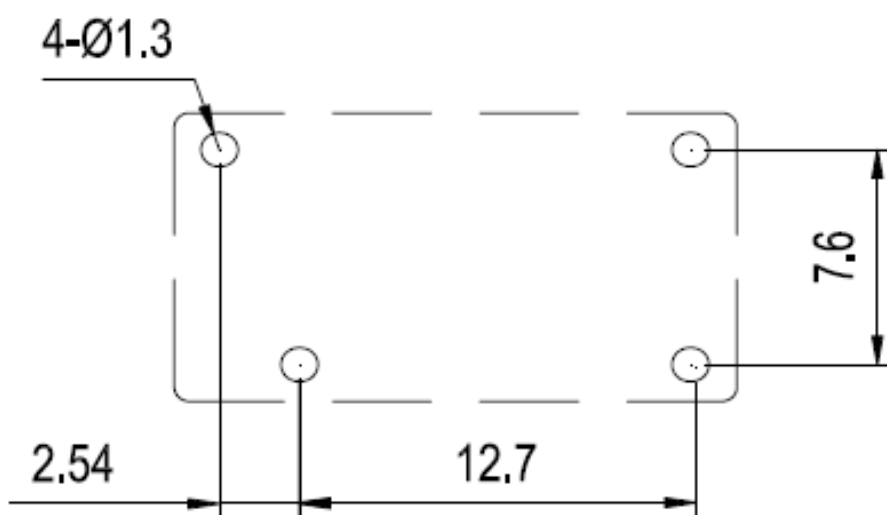
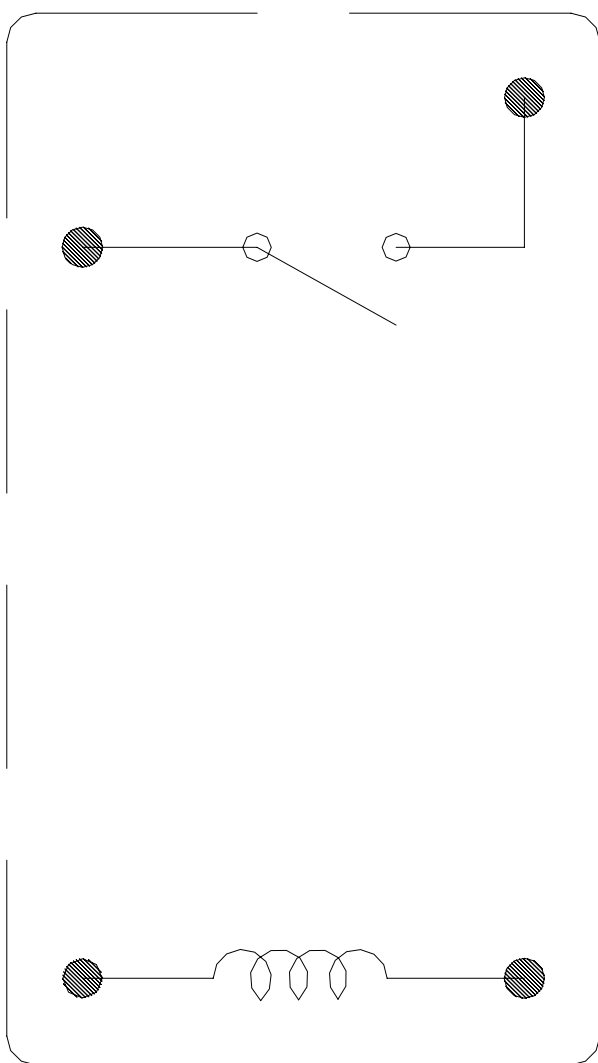
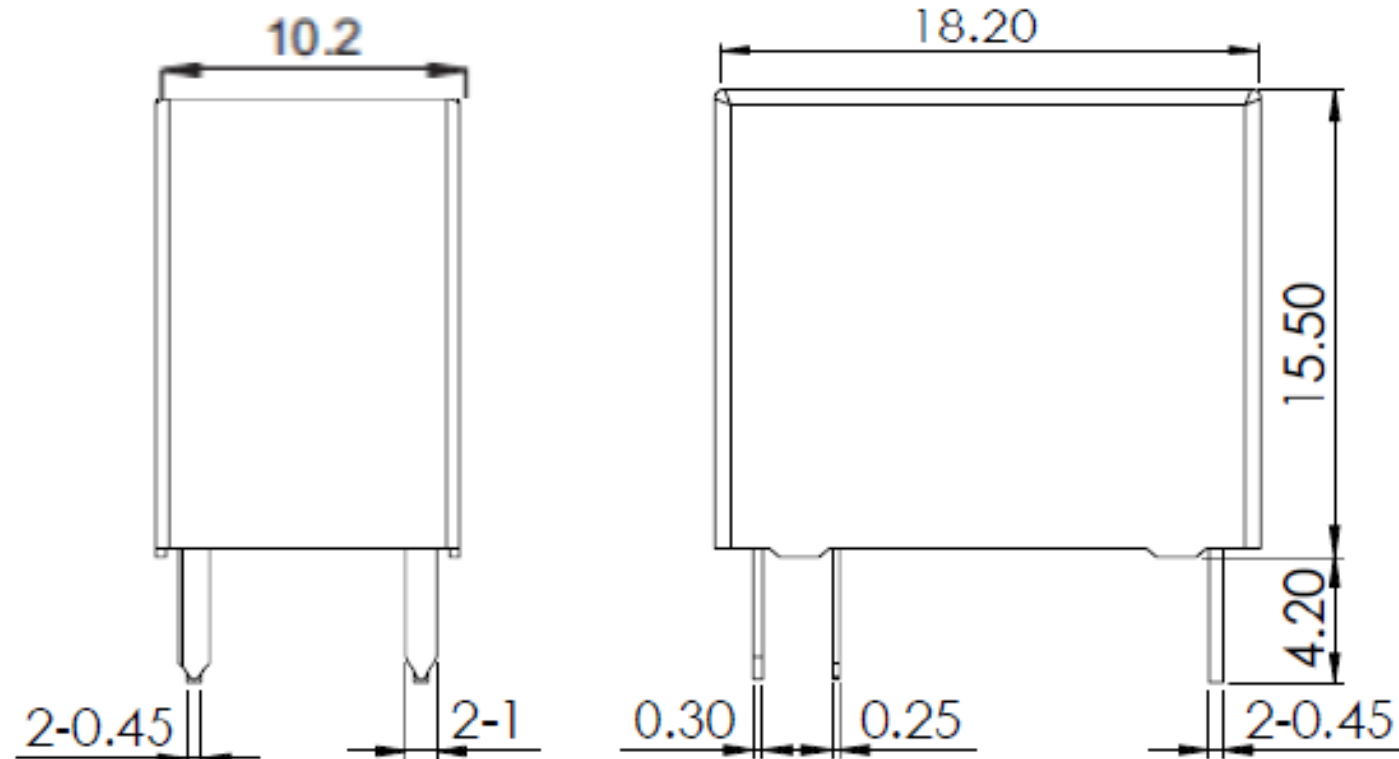
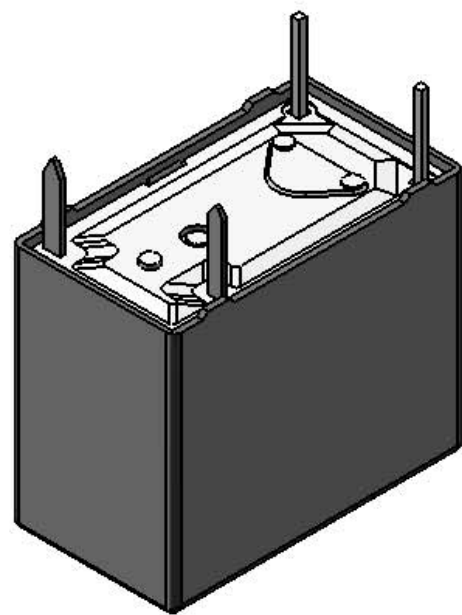
以中文版为准, 英文版仅供参考。

Chinese version is the standard one,English version is only for information.

结束/<END>



3:1



型号	RJ	子图号	承认	检图	制图
公差/TOLERANCES (. mm)		作图日期	船山		周波
<1	± 0.2	2012. 04. 25			
1~5	± 0.3	数量	版本	名称(用途)	
>5	± 0.4	1	V1.0	RJ 5A	
		比例	页数	图号	
		4:1	1/1	U-002-02	